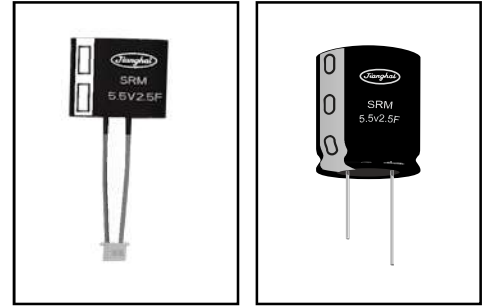


## Features

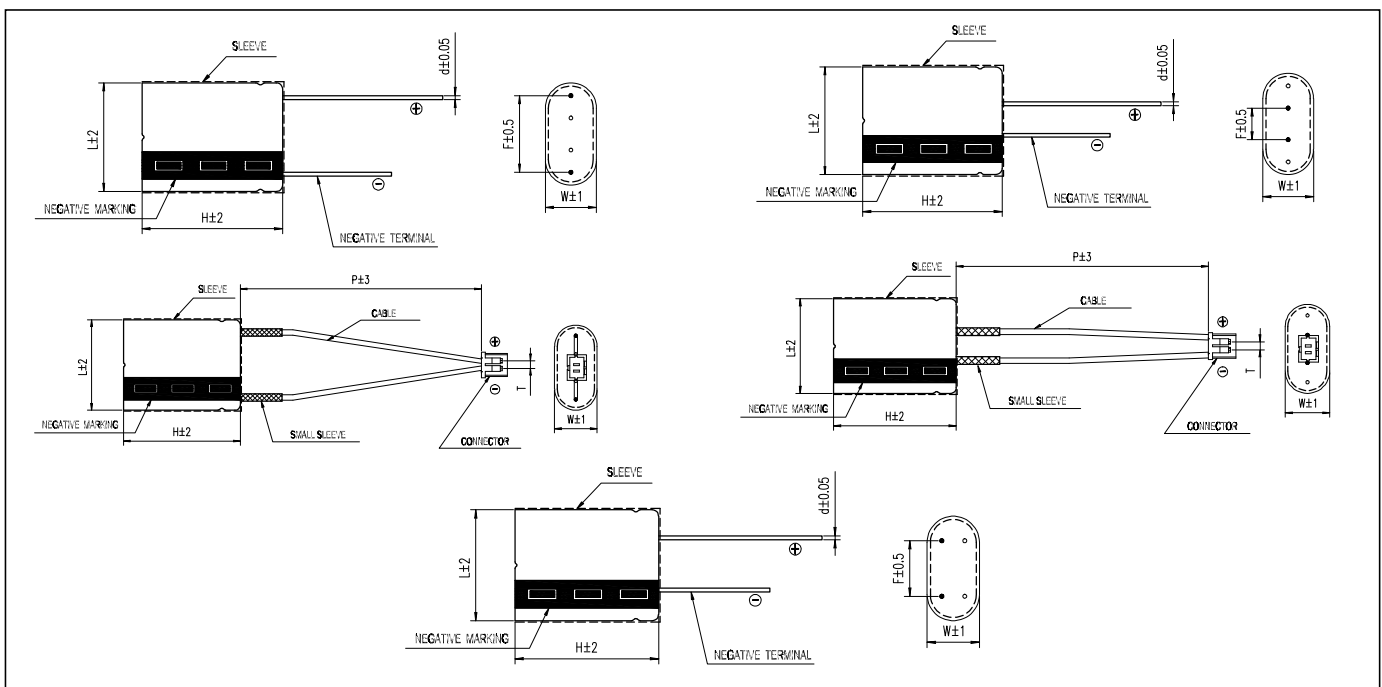
- Double cells in series
- Higher voltage
- RoHS compliant
- Consumer electronic
- AMR
- DC-DC converters
- Automotive electronics
- Smart meter
- ups



Items	Characteristics		
Rated Voltage	5.5V		
Operating Temperature Range	-40 ~ +65°C (-40 ~ +85°C @ 4.6V)		
Surge Voltage	5.7V		
Capacitance Range	0.5~50F		
Capacitance Tolerance (25°C)	-10~+30%		
Temperature Characteristics	The specifications shall be met at category temperature range form -40°C to 65°C	Capacitance Change	Within 30% of the value at 25°C
		ESR	Less than 2 times of the initial specified value
High Temperature Loaded	The specifications shall be met after rated voltage applied at 65°C for 1000 hours	Capacitance Change	Within 30% of the initial value
		ESR	Less than 2 times of the initial specified value
High Temperature Storage	The specifications shall be met after storage at 65°C for 1000 hours	Capacitance Change	Within 30% of the initial value
		ESR	Less than 2 times of the initial specified value
Cycle Life	The specifications shall be met after 500,000 cycles at 25°C, cycle of charge/discharge from $V_R$ to $1/2V_R$	Capacitance Change	Within 30% of the initial value
		ESR	Less than 2 times of the initial specified value

## Dimensions

mm



MODULE

## Standard Ratings for SRM Series

U <sub>R</sub> (Surge Voltage) Code	Rated Capacitance 25°C	Impedance		Leakage Current (72hrs)	Size W×L×H	F	d	P/N
		ESR <sub>DC</sub>	ESR <sub>AC</sub> 1KHz					
(V)	(F)	(mΩ)	(mΩ)	(mA)	(mm)	(mm)	(mm)	-
5.5 (5.7) 5R5	0.5	820	420	0.008	8.5 x 17 x 17	12/5.0	0.6	SCMDMR5R5504QRH081717E
	1	520	280	0.010	8.5 x 17 x 17	12/5.0	0.6	SCMDMR5R5105QRH081717E
	1.5	320	180	0.012	8.5 x 17 x 23	12/5.0	0.6	SCMDMR5R5155QRH081723E
	2.5	280	160	0.016	11 x 21 x 23	15.5/5.5	0.6	SCMDMR5R5255QRH112123E
	3.5	180	130	0.02	11 x 21 x 27	15.5/5.5	0.6	SCMDMR5R5355QRH112127E
	5	140	100	0.03	13 x 26 x 27	18/8.0	0.6	SCMDMR5R5505QRH132627E
	10	100	80	0.06	17 x 33 x 22	24/9	0.8	SCMDMR5R5106QRH173322E
	15	80	64	0.1	17 x 33 x 33	24/9	0.8	SCMDMR5R5156QRH173333E
	25	64	50	0.14	18 x 37 x 42	26/11	0.8	SCMDMR5R5256QRH183742E
50	56	44	0.18	18 x 37 x 62	26/11	0.8	SCMDMR5R5506QRH183762E	

可根据客户要求定制。Customer products are available on request.